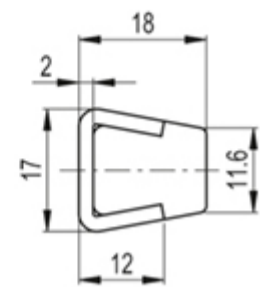
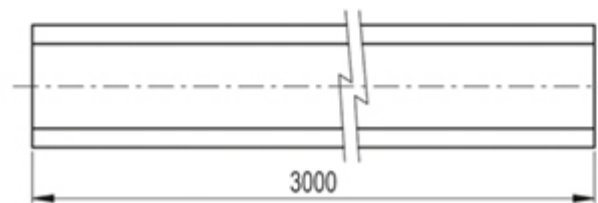


GLP-HT

Linear guide rail, high temperature

Flat profile, technopolymer, stainless steel



Code		Description			INOX STAINLESS STEEL
419207	GLP-HT-12-3000		2880		

Main specifications

Guide profile

Polytetrafluoroethylene based (PTFE) technopolymer, natural colour.

Bracket

AISI 304 stainless steel.

General information

Features and applications

GLP-HP side guide is used for the side guide of products with different dimensions on conveyor belts (Fig.1), in environments with high temperature, such as ovens, fryers, steam chambers. It can also be used as a support for metal meshes inside ovens (Fig. 2)

Supplied in bars of 3 meters length.

Fig.1

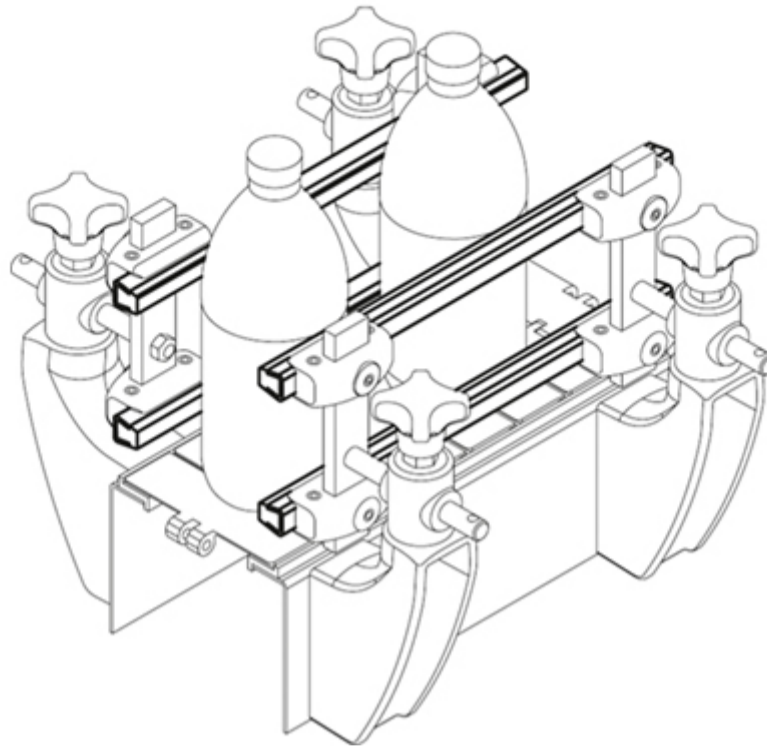
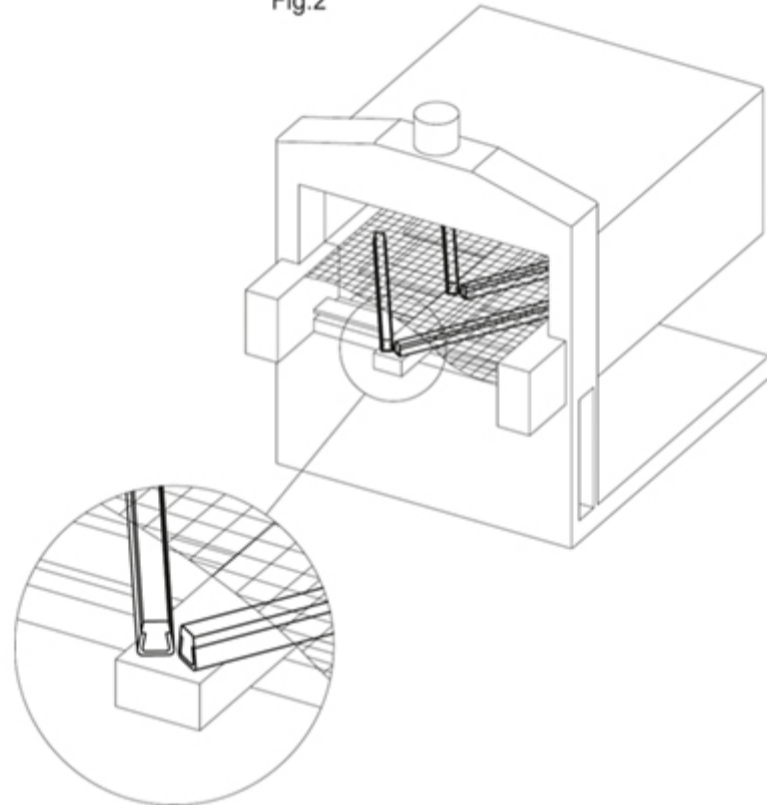


Fig.2



Accessories

Accessories on request

Guide rail clamps MPG-T-S MPG-2T MPG-T, MPG-T-S MPG-2T MPG-T, MPG-T-S MPG-2T MPG-T.